



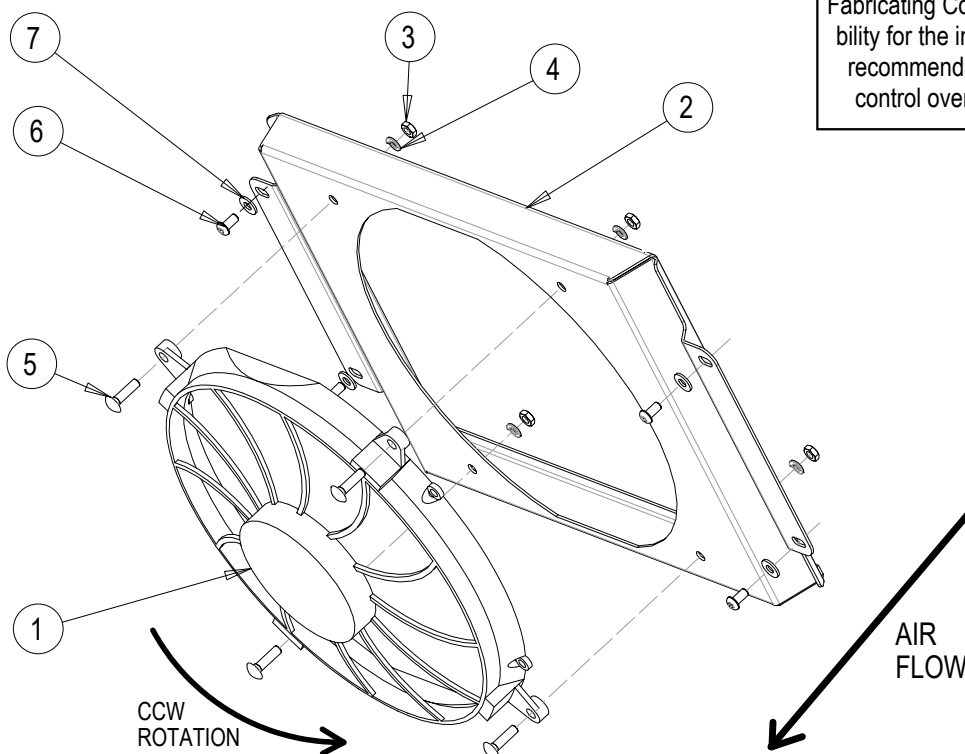
Fan and Shroud Assembly Installation Instructions

Part Number: **80108NFAN**

- In this application the air is pulled through the radiator and out the fan.
- The fan rotation will be counterclockwise for this application.
- Attach the supplied fan mounting feet to the fan at the 1, 5, 7, and 11 o'clock positions. Verify all mounts are properly seated by laying the fan on a flat table. All four feet should contact the surface.
- Orientate the fan so that the electric supply wires are in the direction that best suits your needs.
- Attach the fan to the shroud using the supplied 1/4-20 x 1" allen head bolts and washers.
- Bolt the assembled fan and shroud to the radiator using the supplied 1/4-20 x 1/2" allen head bolts and 1/4" lock washers.
- Locate a suitable place to connect the fan wiring to the car electrical system.
- A 20 amp fused circuit and minimum 14ga wire is recommended. The blue wire on the fan is positive (+), the black wire is negative (-).
- Check the direction of fan rotation. To reverse the rotation direction, reverse the positive (+) and negative (-) wires to the fan.

| Item # | Qty | Description |
|--------|-----|--------------------|
| 1 | 1 | 14" Fan |
| 2 | 1 | Fan Shroud |
| 3 | 4 | 1/4" Nut |
| 4 | 4 | 1/4" Washer |
| 5 | 4 | 1/4-20 x 1" Bolt |
| 6 | 4 | 1/4-20 x 1/2" Bolt |
| 7 | 4 | 1/4" Lock Washer |

The wiring recommendations are based on the fan manufacturer's published recommendations. American Fabricating Co. assumes no responsibility for the implementation of these recommendations, as we have no control over the final installation.



Stay connected

www.AFCOracing.com | AFCOracingcs@AFCOracing.com

800-632-2320 | 977 Hyrock Blvd. Boonville, IN 47601

LIT A950700035